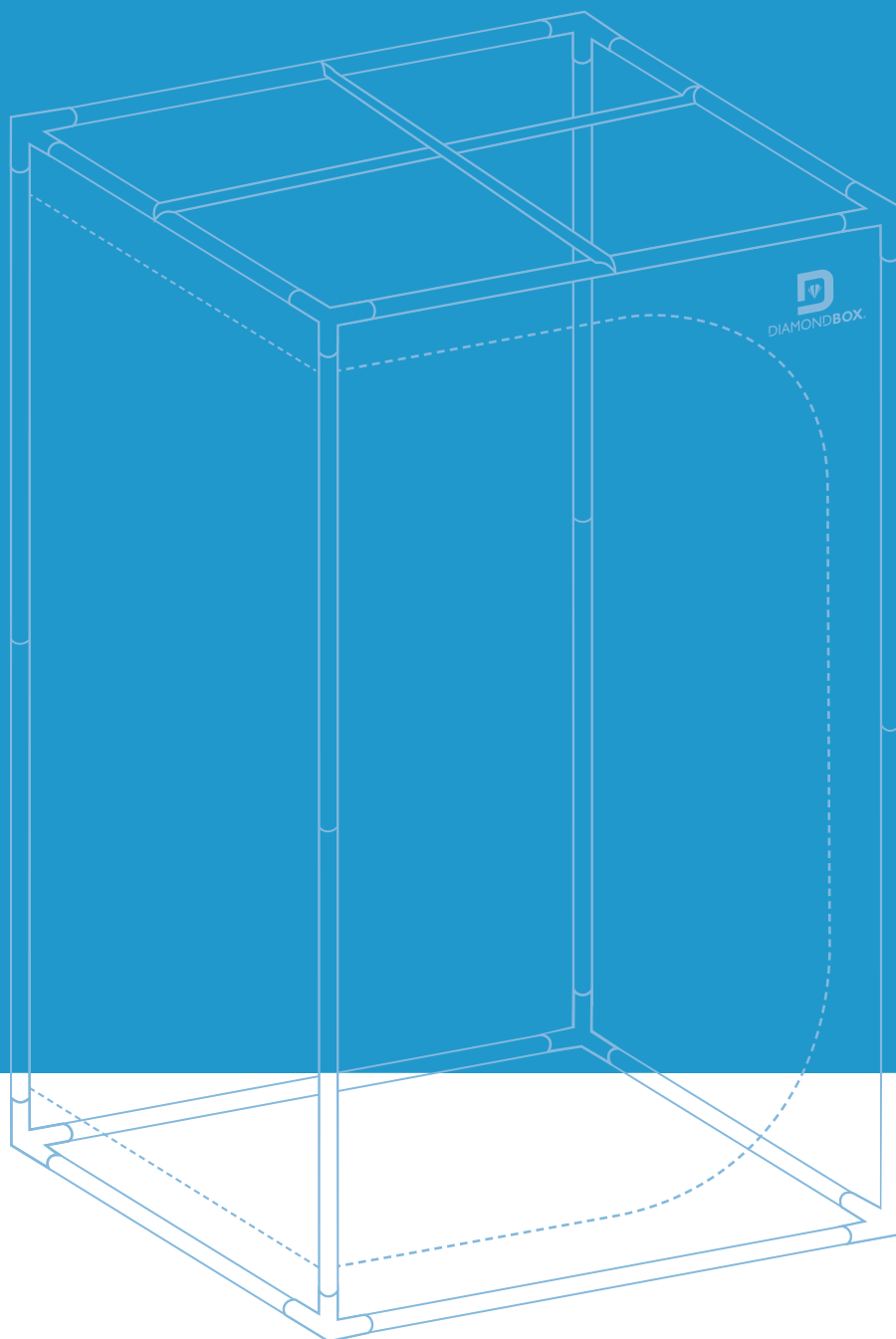


AUFBAU ANLEITUNG

ASSEMBLY INSTRUCTIONS



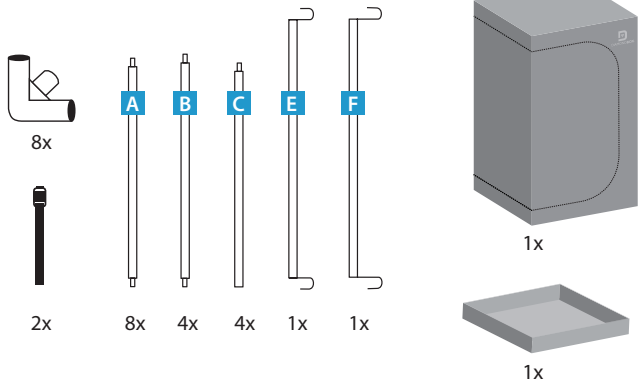
Silver Line

SL40 / 60 / 80 / 100 / 120

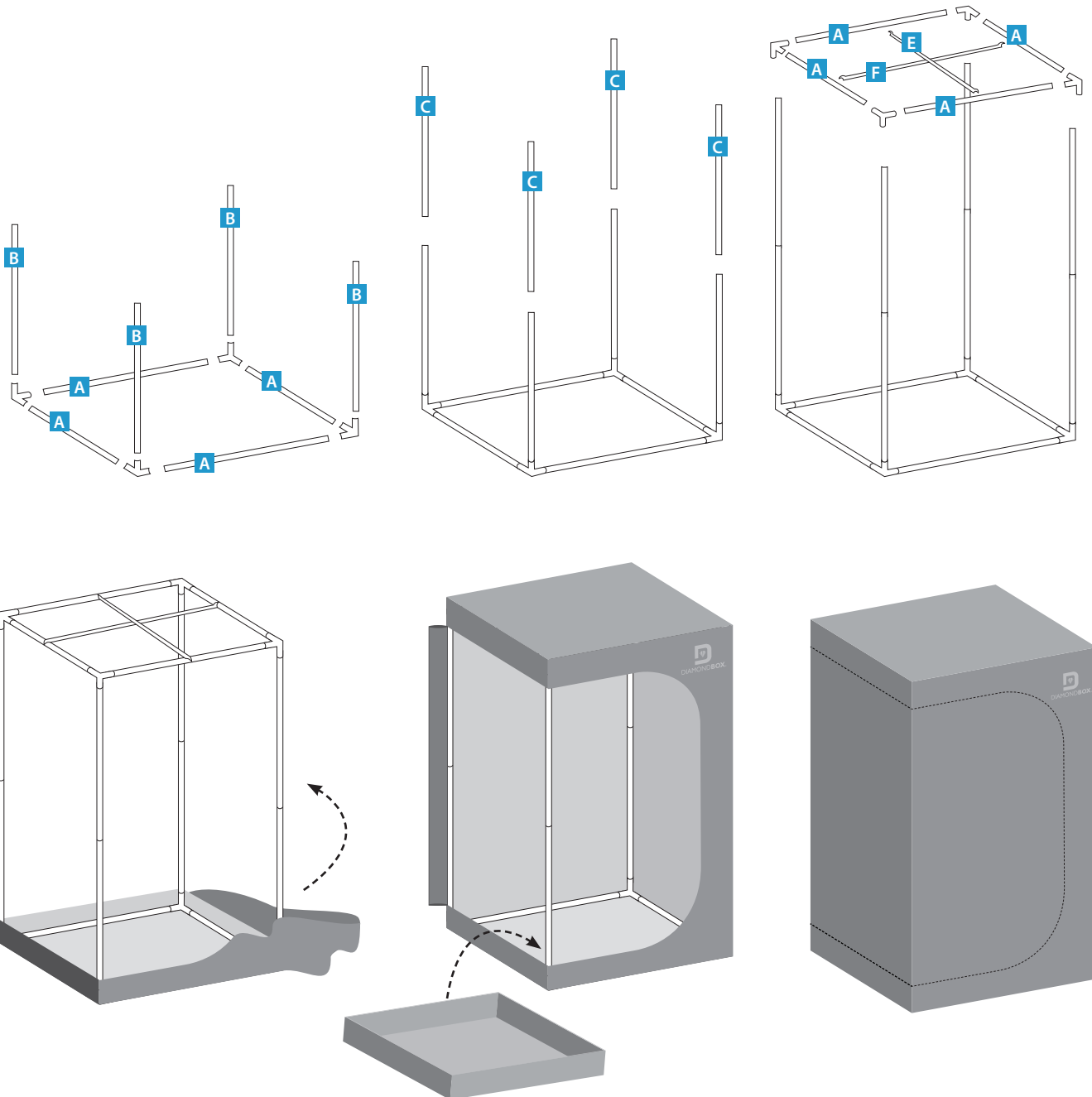
40 x 40 x 120 cm 100 x 100 x 200 cm
 60 x 60 x 160 cm 120 x 120 x 200 cm
 80 x 80 x 180 cm

1 cm = 0.3937 inch

Silver Line



diamondbox.de/video

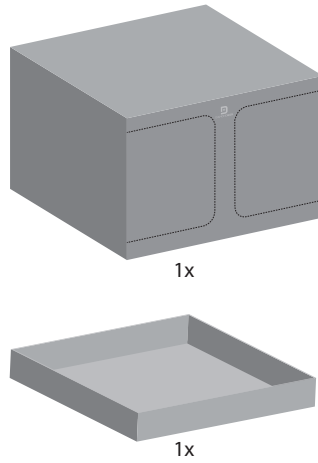
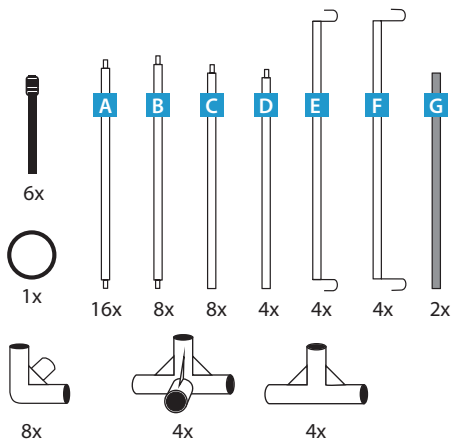


SL200 / 240 / 300

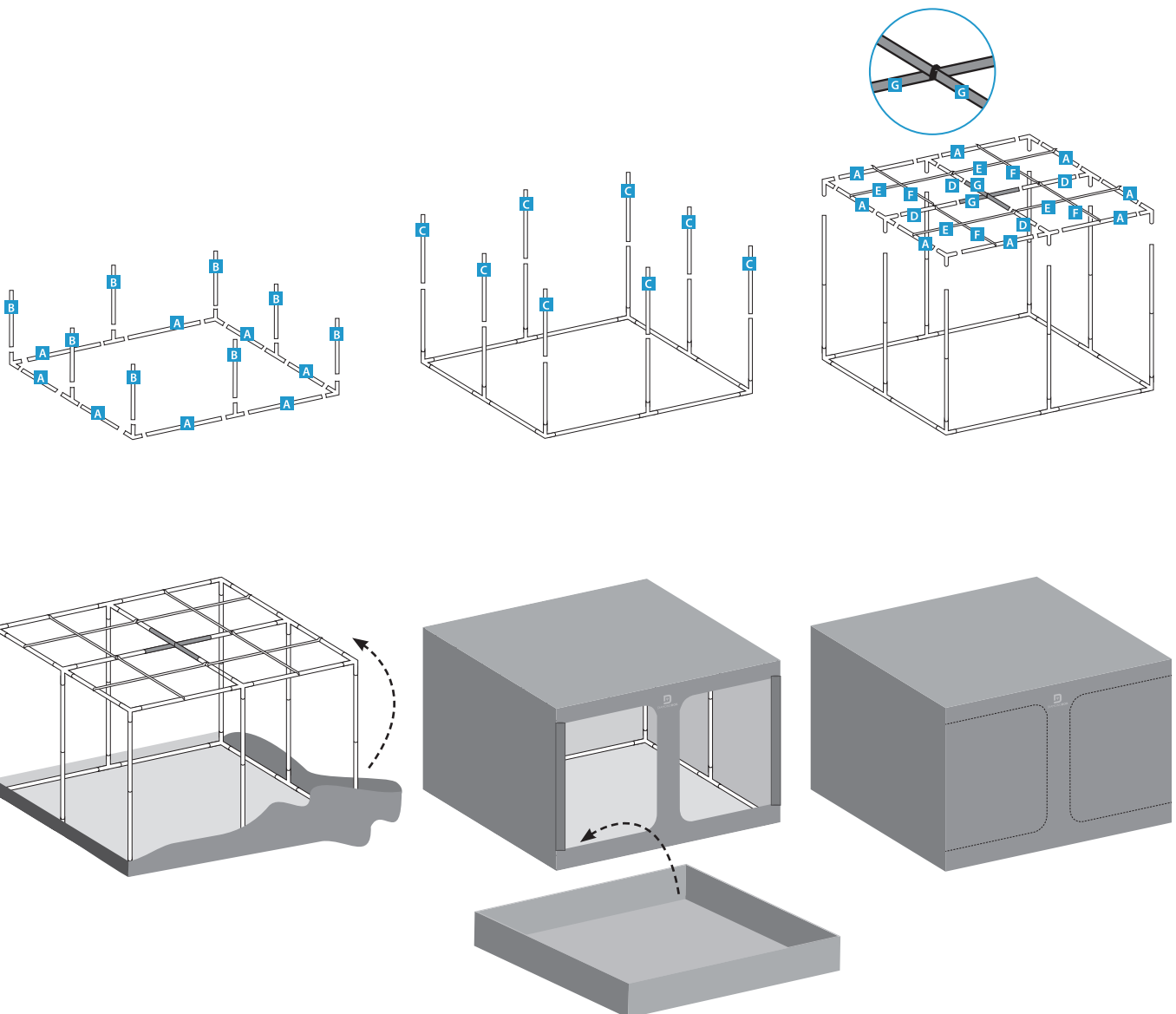
200 x 200 x 200 cm
240 x 240 x 200 cm
300 x 300 x 200 cm

1 cm = 0.3937 inch

Silver Line



diamondbox.de/video



SL120 E

Silver Line

